

TRX R2

Key Features

- Intel® Atom™ Denverton 8-core or 4-core processor options
- Two 4G/LTE modems with Band 14 Firstnet support or one 5G modem
- NVMe-based storage with up to 1TB capacity
- Two copper 1Gb Ethernet ports
- Two 10 Gb SFP+ ports in 8-core variant
- Simultaneous Wi-Fi AP and client
- KlasOS Keel software providing:
 - Connectivity
 - Virtualization
 - Telematics
 - Management



First Responder Compute Gateway

TRX R2 is a First Responder compute gateway that combines both connectivity and local compute so that vehicles have cloud connectivity when they need it, but local processing power for analytics when there is no backhaul. The solution is underpinned by KlasOS Keel; a lightweight OS with integrated hypervisor, SD-WAN and the latest Wi-Fi and cellular connectivity.

TRX R2 can be configured with two 4G/LTE modems or with a single 5G modem. In addition, the TRX R2 integrates GPS, Wi-Fi, and 2 x 10Gb Ethernet (8 core variant). Combined with Klas' proven SD-WAN feature embedded in Keel, multiple transports can be used

simultaneously in a secure and agile way. A broad range of virtual machines are also supported including VPN technology, WAN optimization, RoIP and video analytics.



Trains



Autonomous



Fleet

EMEA:

Klas Telecom Ltd.,
4th Floor, One Kilmainham Square,
Inchicore Road, Kilmainham,
Dublin 8, Ireland
DO8 ETIW.
Tel: +353 1 6624270

US

Klas Telecom Inc.,
1101 30th Street NW,
Suite 500, Washington,
DC 20007.
Tel: +1 202-625-8315

www.klasgroup.com

KLAS

TRX R2

Specifications



Physical Specifications

- 7.4" W x 6.3" L x 2" H (188 mm x 160 mm x 52 mm)
- 4.4 lb / 2 kg

Electrical Specifications

- 9 - 36 VDC input
- 15 - 32 W power consumption

Construction

- Aluminum chassis with fanless cooling

Operational Temperature Range

- 4-Core: -20°C to 60°C
- 8-Core: -20°C to 40°C

Ports

- 2 x 4G/LTE modem slots (M2), or 1 x 5G slot (M2)
- SIMs accessible via front panel
- 2 x SIM card slots (one for each LTE modem, or 1 for 5G modem)
- 2 x 1 GbE ports
- 2 x 10 GbE SFP+ ports (8-core only)
- 4 x modem antennas (2 per LTE modem, or 4 per 5G modem)
- 1 x GPS antenna port
- 3 x Wi-Fi antenna ports
- 2 x USB 2.0 interfaces
- RJ-45 serial console port with hypervisor access

CPU Options

- **Intel® Atom™ Denverton C3708 8-Core** processor with 1.7 GHz, 16MB Cache with Intel® Cache Allocation Technology
- **Intel® Atom™ Denverton C3508 4-Core** processor with 1.5 GHz, 8MB Cache with Intel® Cache Allocation Technology
- **Memory options:**
 - 8 to 96 GB RAM available

4G LTE Modems

- **2 x Sierra Wireless LTE** modems. Multiple options supported covering all regions, supporting up to Cat-12 LTE with fall-back to 3G networks. Certified for use on Verizon, AT&T and FirstNet.

5G Modems

- **1 x Thales MV31-W** Global support. Supports 5G SA and NSA (6 Gbps DL, 2 Gbps UL) plus fall-back to LTE Cat.20/Cat.13 and 3G networks.

Wi-Fi Interface

- IEEE802.11 ac/b/g/n modem with datarates of 1.3 Gb/s downlink
- 3x3 MIMO
- Supports 2.4 GHz and 5 GHz bands
- Enhanced wireless security supporting 64/128-bits WEP, WPA, WPA2, 802.1x

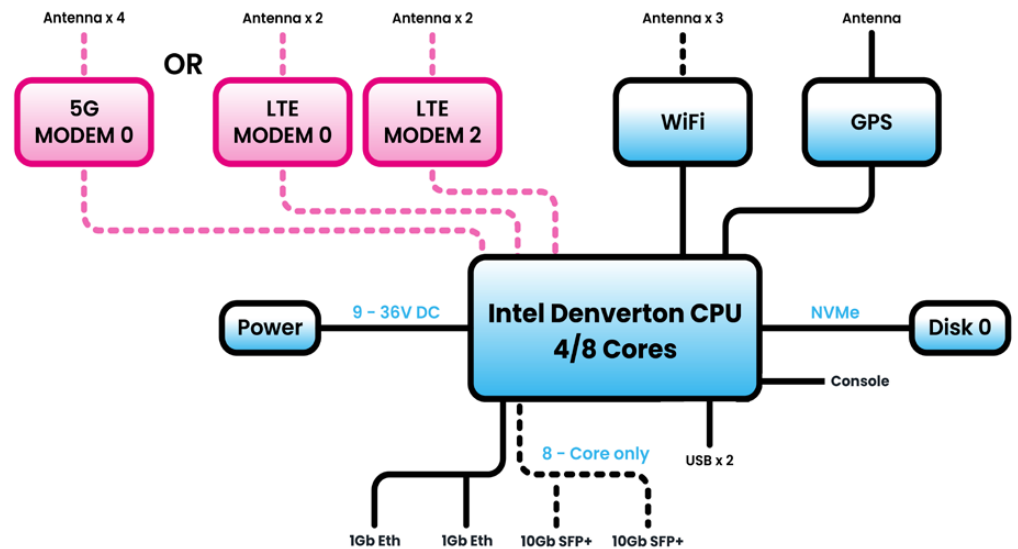
Software Support

- KlasOS Keel, a lightweight OS with integrated hypervisor and SD-WAN
- Blackrock management, automation and monitoring

Compliance

- Compatible with:
 - MIL-STD-810G
 - MIL-STD-461F
 - FCC Part 15 B
 - CE
 - RoHS, REACH

Cellular Connectivity Options



KEEL | BLACKROCK

Optimized Management & Virtualization

EMEA:

Klas Telecom Ltd,
4th Floor, One Kilmainham Square,
Inchicore Road, Kilmainham,
Dublin 8, Ireland
DO8 ETIW.

Tel: +353 1 6624270

US

Klas Telecom Inc.,
1101 30th Street NW,
Suite 500, Washington,
DC 20007.

Tel: +1 202-625-8315

www.klasgroup.com

KLAS