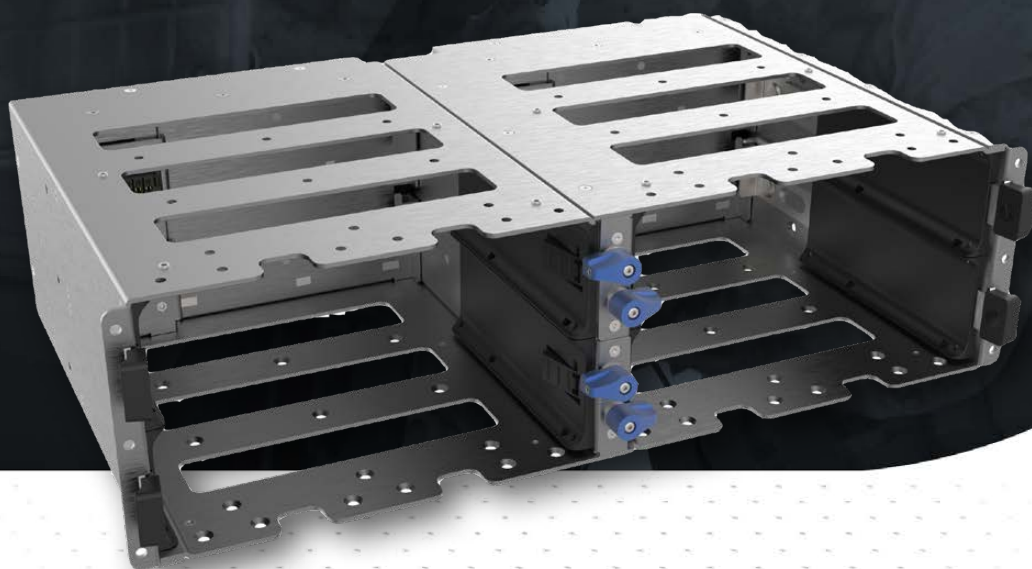


# VOYAGER/4 Slim

Voyager 4 Slim is a lightweight chassis with space for up to four Voyager modules with or without a Voyager 1 battery pack attached.

The Voyager 4 has multiple mount points to enable vehicle or rackmount installations.



## KEY FEATURES

- Support for up to four Voyager modules including Voyager 1 battery packs if attached.
- Multiple mounting options with mounting holes on the front, rear and sides of the chassis.
- Lightweight aluminum construction.
- DC input connector for connecting a 12 VDC power source. Ensure that the input power matches the power rating of the Voyager modules installed in the chassis.
- PoE power input connector for connecting a separate 48 VDC PoE power source.



Portable



Rugged



Low Power

### EMEA:

Klas,  
4th Floor, One Kilmainham Square,  
Inchicore Road, Kilmainham,  
Dublin 8, Ireland  
DOB ETIW.  
Tel: +353 1 6624270

### US

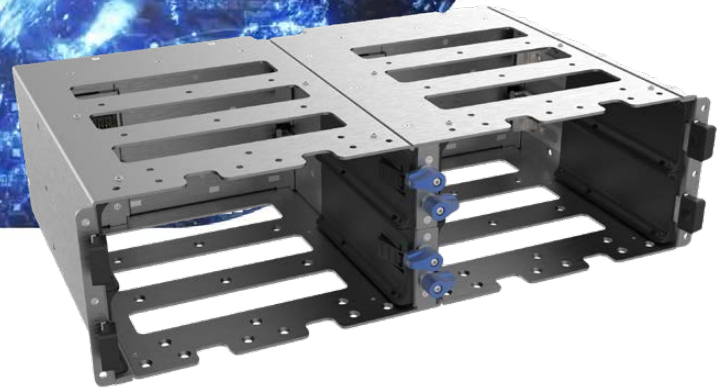
Klas Government  
450 Springpark Place,  
Suite 1200,  
Herndon, VA 20170  
Tel: +1 571-375-2500

[www.klasgroup.com](http://www.klasgroup.com)

# KLAS

# VOYAGER/4 Slim

## Specifications



### Voyager 4 Slim

#### SIZE

- 17" W x 10.9" D x 4.6" H (432 mm W x 276 mm D x 118 mm H)

#### WEIGHT

- 5.73 lb (2.6 kg)

#### CONSTRUCTION

- Aluminum construction

#### INPUT VOLTAGE RANGE

DC input power for the Voyager 4 slim:

- 12 VDC (12 Amp)
- 28 VDC (9 Amp)
- 48 VDC for PoE (2 Amp)



Figure 1 Voyager 4 Slim Front

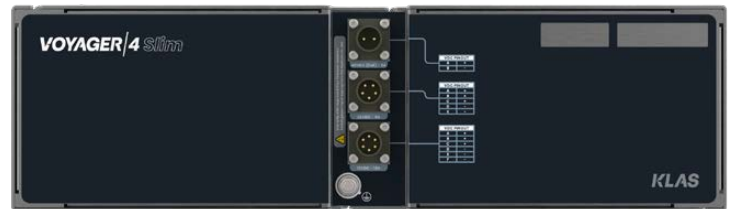


Figure 2 Voyager 4 Slim Rear

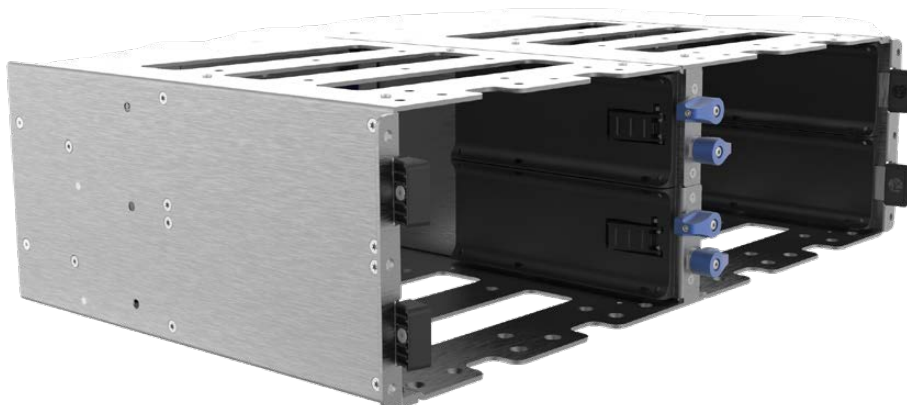


Figure 3 Voyager 4 Slim Side View

#### EMEA:

Klas,  
4th Floor, One Kilmainham Square,  
Inchicore Road, Kilmainham,  
Dublin 8, Ireland  
D08 ETW.  
Tel: +353 1 6624270

#### US

Klas Government  
450 Springpark Place,  
Suite 1200,  
Herndon, VA 20170  
Tel: +1 571-375-2500

[www.klasgroup.com](http://www.klasgroup.com)

# KLAS